

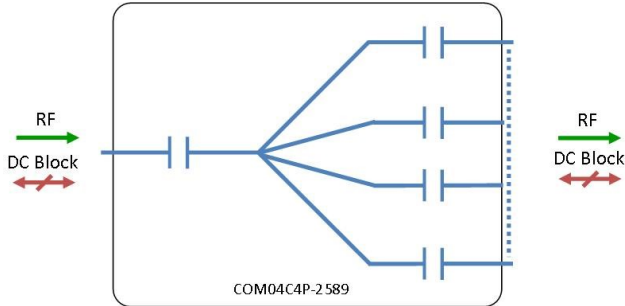


RF Components

4-Way C-Band Passive Splitter/Combiner

2 - 4.2 GHz

Model Number:
COM04C4P-2589



- All RF ports DC blocked
- Available with RF connector options:
- 50 Ω SMA
 - 50 Ω N-type



2 - 4.2 GHz
Operating frequency range. C-Band ready



Compact
Housed in rugged compact enclosure

Flexible Mounting
Tapped screw & through hole mounting options

Passive

RF Parameters		
COM04C4P-2589-XXXX	S5S5	N5N5
Frequency Range	2 - 4.2 GHz	
RF Connectors	50 Ω SMA	50 Ω N-Type
Insertion Loss (dB)	Typ.	1.2
	Max	2.0
Flatness \pm (dB)	0.5	0.5
Input Return Loss (dB)	Typ.	15
	Min	10
Output Return Loss (dB)	Typ.	15
	Min	10
Isolation (dB)	Typ.	20
Amplitude Balance (dB)	≤ 0.15	≤ 0.15
Phase Balance (Φ)	$\leq 3^\circ$	$\leq 3^\circ$
The given Insertion Loss specified is the loss above the theoretical limit for a lossless divider		

Broadcast



Marine Oil & Gas



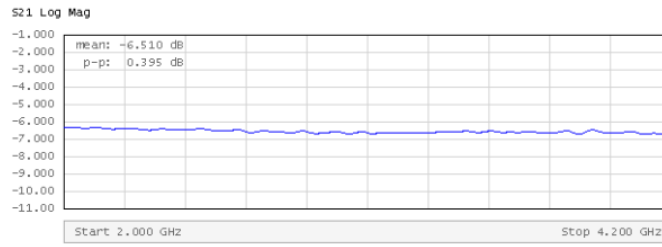
SNG & VSAT



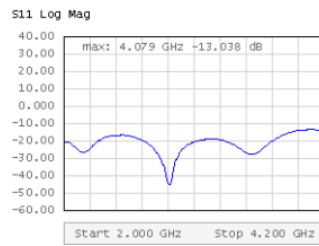
Satellite Teleport



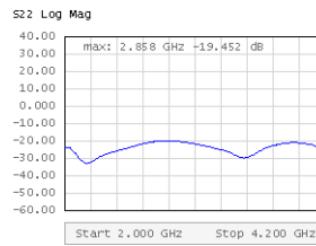
Technical specifications and operating parameters



Insertion Loss



Input Return Loss



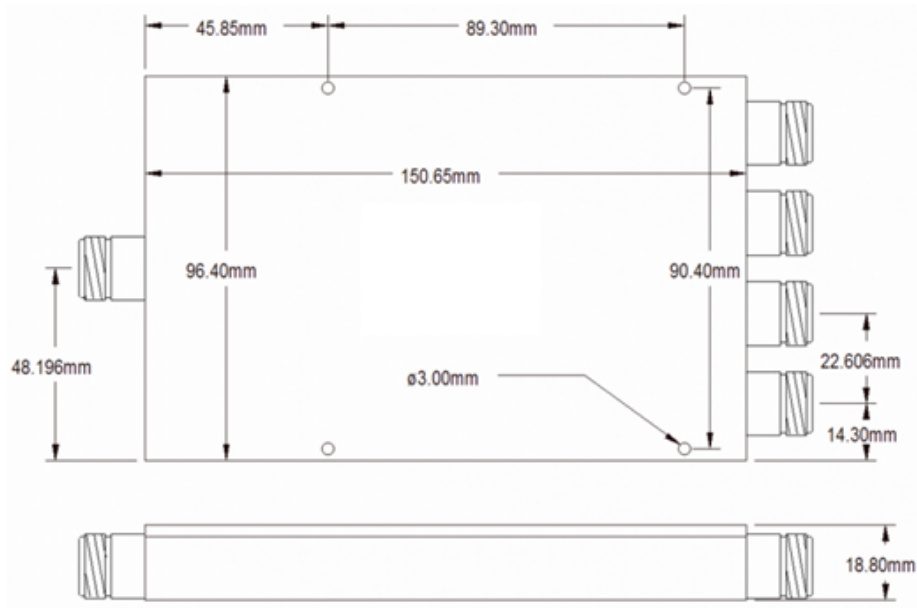
Output Return Loss

Environmental	
Operating Temperature	0°C to +45°C
Storage Temperature	-20°C to +75°C
Location	Indoor use Only
Humidity	Max. 85% non-condensing
Altitude	Max. 10,000 feet

Max Operating Parameters	
Input RF Power	+37 dBm (5W)
DC Voltage	35V on any RF port
DC Current	500mA

! Operation beyond these limits may cause instantaneous and permanent damage.

Physical Dimensions (mm)



Note: The specification is subject to regular reviews and will be updated from time to time as part of our continuing product development and improved specification accuracy.